

Upgrade to a Smarter Option

Introducing a smarter, safer digital mixing valve



IntelliStation® Jr.

New to the IntelliStation® family, the IntelliStation® Jr. is the smart mixing valve that keeps you covered and connected through the native Building Automation System (BAS). IntelliStation Jr. controls water temperature to $\pm 2^{\circ}\text{F}$ in accordance with ASSE 1017. Sanitization mode addresses waterborne bacteria while a programmable temperature set-back feature lowers water temperature to a programmed set point when the building is unoccupied. It flows full cold in the event of a power outage—returning to programmed settings once power is restored. The IntelliStation Jr. prevents overnight temperature creep, and automatically balances hot water distribution during low to no demand periods. Field configurability, simplified installation, and BAS connectivity make the IntelliStation Jr. the affordable digital mixing valve upgrade you've been waiting for.

Features:

- Programmable set point range 60°F to 180°F
 - Control water temperature +/- 2°F in accordance with ASSE 1017
 - Lead Free* construction complies with lead free* installation requirement
 - 3.5" full-color, user-selectable touch screen display
 - High temperature Sanitization mode addresses waterborne bacteria
 - In case of power failure, flows full cold for enhanced safety
 - Manual override in the event of prolonged power loss
 - Configurable on location. Does not require factory pre-programming, lap top or special software
 - Control module supports Building Automation System (BAS) communication with BACnet MSTP and Modbus protocols. BAS is native to the unit and does not require a separate module or additional cost
 - Mixed outlet temperature can be adjusted/monitored at the valve or remotely by Building Automation System (BAS)
 - Prevents overnight temperature creep, and automatically balances hot water distribution during low to no demand period.
 - Includes single operating sensor for a mixed outlet temperature reading
 - Pass code protected for security, user specified
 - Programmable hi/lo temperature alerts
 - Programmable schedule for setback of temperature when the building is unoccupied
 - Real time clock for date & time stamping of error messages
 - Wi-Fi enabled for software upgrade
 - Listed /compliance to ASSE1017, cUPC, NSF, CSA 24/UL873, Bacnet Testing Laboratories (BTL) and EC
- *The wetted surface of this product contacted by consumable water contains less than 0.25% of lead by weight.

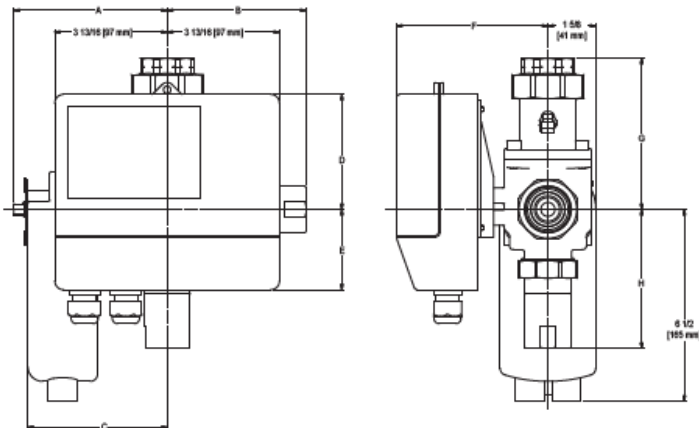
To learn more about the **IntelliStation Jr.** and other **IntelliStation** products, please visit powerscontrols.com

Capacity

Flow Capacity at 50-50 mixed ratio								
		Pressure Drop Across Valve						
Model	Min System Draw+	CV	5 psi 34 kpa	10 psi 69 kpa	20 psi 138 kpa	30 psi 207 kpa	45 psi 310 kpa	50 psi 345 kpa
LFIS075	0.5	7.3	16 gpm 61 lpm	23 gpm 87 lpm	33 gpm 125 lpm	40 gpm 151 lpm	49 gpm 185 lpm	52 gpm 197 lpm
LFIS100	0.5	17.5	39 gpm 148 lpm	55 gpm 208 lpm	78 gpm 295 lpm	96 gpm 363 lpm	117 gpm 443 lpm	124 gpm 469 lpm

+ with a properly sized pump

Dimensions



Model	Inlets	Outlet	A	B	C	D	E	F	G	H
LFIS075VL	3/4" (20 mm)	3/4" (20 mm)	4 7/8" (123 mm)	4 1/8" (103 mm)	4 3/8" (110 mm)	4 1/8" (103 mm)	2 9/16" (66 mm)	4 3/8" (120 mm)	4 9/16" (110 mm)	4 1/8" (105 mm)
LFIS100VL	1" (25 mm)	1 1/4" (32 mm)	5 9/16" (132 mm)	4 1/8" (120 mm)	4 3/4" (120 mm)	3 7/8" (99 mm)	2 3/4" (69 mm)	5 1/8" (130 mm)	5 1/8" (130 mm)	4 1/8" (120 mm)

Ordering Code

	<input type="checkbox"/>	<input type="checkbox"/>	<input type="checkbox"/>	<input type="checkbox"/>	<input type="checkbox"/>	<input type="checkbox"/>	<input type="checkbox"/>	<input type="checkbox"/>	<input type="checkbox"/>	<input type="checkbox"/>	
Valve	Inlets (In)	Outlet (In)	Order Code								
LFIS075	3/4"	3/4"	LFIS075VL								
LFIS100	1"	1 1/4"	LFIS100VL								
Cabinets											
Exposed no cabinets				0							
Stainless Steel, Wall Mounted				Q							
Painted, Wall Mounted				U							
View Port											
None				0							
Window				W							



For more information, contact WMS Sales at:
Buffalo: (716) 741-9575
Syracuse: (315) 453-4230 or at customerservice@wmssales.com